

Instruction manual - Vacuum pump

Page 6

IMPORTANT: Read all instructions before using.

Guide d'utilisation - Pompe à vide

Page 14

IMPORTANT: Lire toutes les instructions avant de démarrer les travaux.

Manual de instrucciones - Bomba de vacío

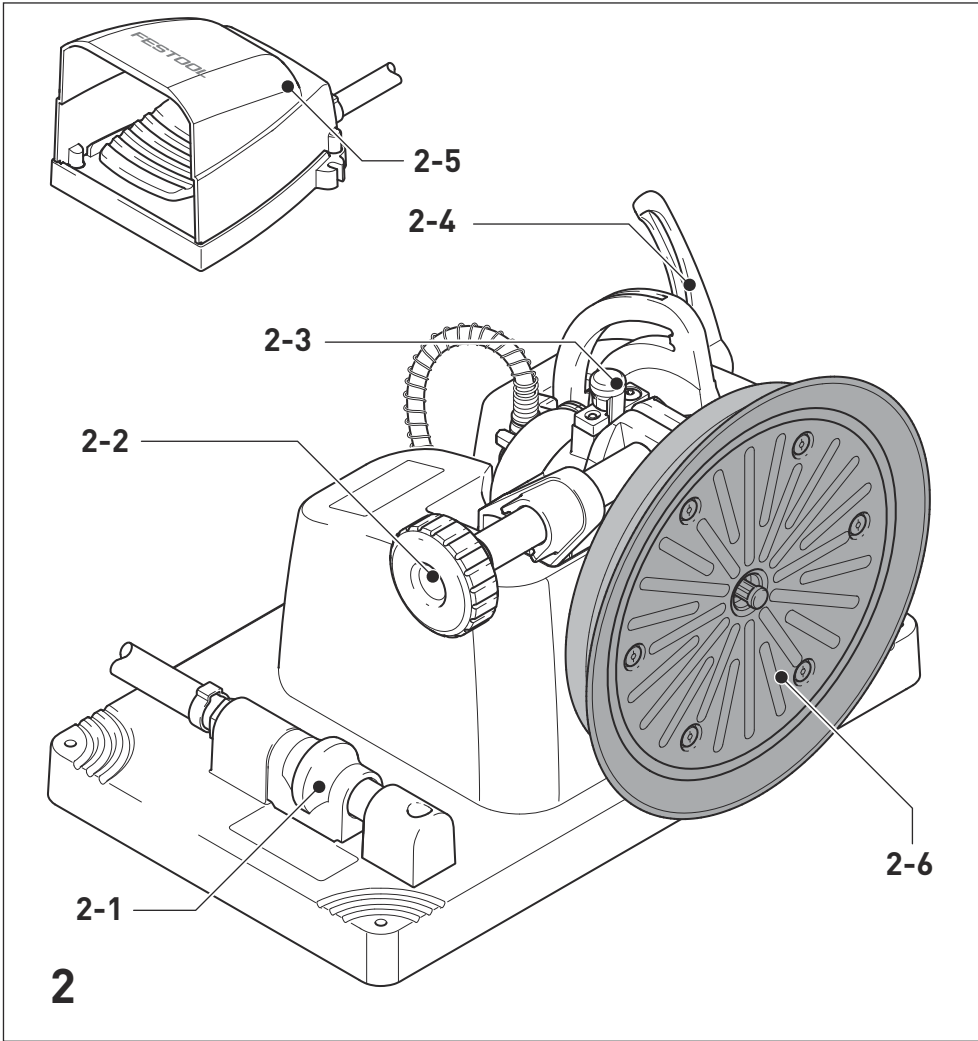
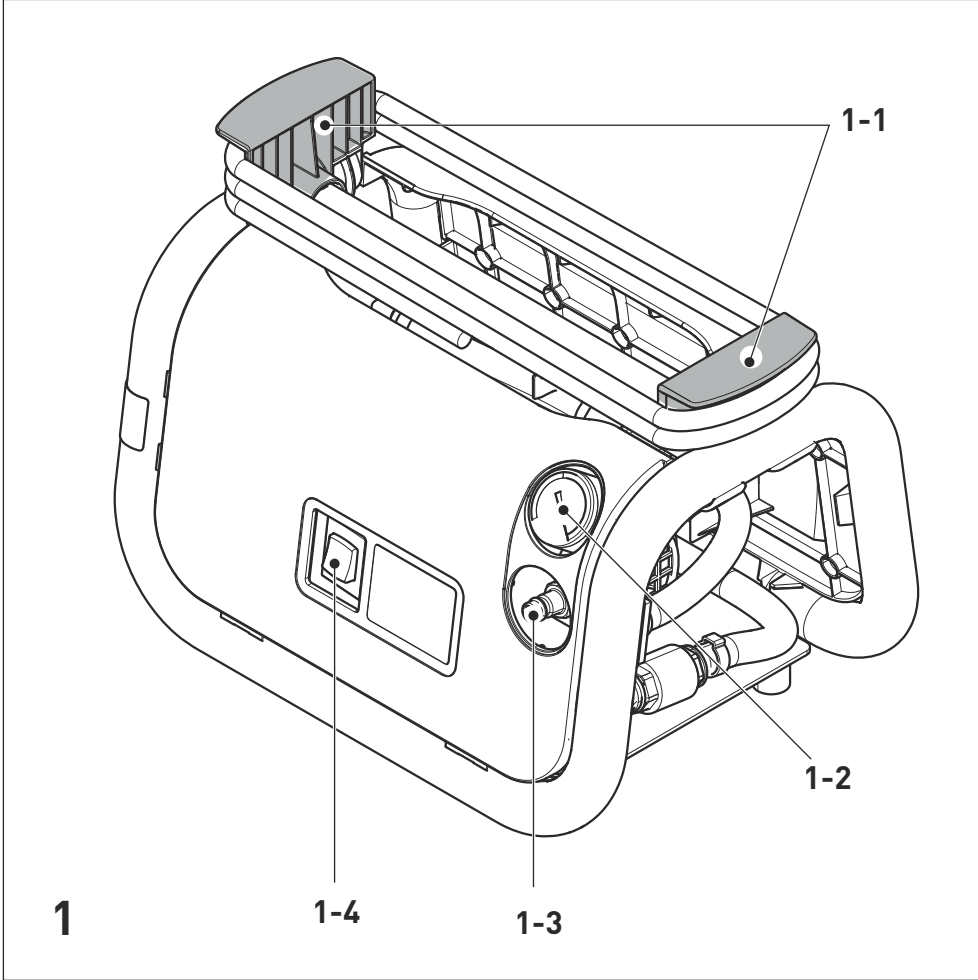
Página 23

IMPORTANTE: Lea todas las instrucciones antes de usar.

**Instruction manual
Guide d'utilisation
Manual de instrucciones**

VAC PMP












Contents

Symbols.....	6	Functional description.....	8
About this manual.....	6	Preparing for use	9
Safety instructions	7	Service and maintenance	11
Intended use	8	Environment	11
Technical data	8	Troubleshooting.....	12

Symbols

Symbol Significance

	Warning of general danger
	Risk of electric shock
	Read operating instructions and safety notices!
	Do not dispose of as domestic waste.
	Warning: Hot surface!
	Tip or advice
	Handling instruction




Symbol Significance



V	volts
A	amperes
W	Watt
Hz	hertz
rpm	rounds per minute
~ a.c.	alternating current
--- d.c.	direct current
ft	feet
in	inch
lb	pound
mbar	airpressure in millibar
°F	temperature in degrees Fahrenheit

About this manual

Save these instructions

It is important for you to read and understand this manual. The information it contains relates to protecting **your safety** and **preventing problems**. The symbols below are used to help you recognize this information.

	DANGER	Description of imminent hazard and failure to avoid hazard will result in death.
	WARNING	Description of hazard and possible resulting injures or death.
	CAUTION	Description of hazard and possible resulting injuries.

	NOTICE	Statement including nature of hazard and possible result.
	HINT	Indicates information, notes, or tips for improving your success using the tool.

Safety instructions

General safety instructions

⚠ WARNING! Read all safety warnings, instructions, illustrations and specifications provided with this tool. Failure to follow all instructions listed below may result in electric shock, fire and/or serious injury.

Save all warnings and instructions for future reference.

- Before using the device, carefully read the safety instructions, these operating instructions and the instruction manuals accompanying the devices used together with this device all the way through. Keep all of the accompanying documents and pass on if the device changes ownership.
- Never allow children to use the device.
- Before using the device, make yourself sufficiently familiar with the procedures for using, setting and operating the device.
- Keep the working area clean and tidy. Untidy, unlit working areas may lead to accidents.
- Never operate the device in a potentially explosive environment containing flammable fluids, gases or dust. Electric motors generate sparks that may ignite dust or vapours.
- Pay special attention to how you handle the device and always proceed with care. Do not use the device when you are tired or under the influence of drugs, alcohol or medication. One moment of carelessness during operation can cause serious injuries.
- Always use the device, accessories, etc. in accordance with these instructions and the instructions accompanying this special device. Also take into account the working conditions and the job in hand. Using the device for applications other than those specified may create hazardous situations.
- When not in use, keep equipment out of the reach of children. Personnel should not be allowed to use the device if they are not familiar with it or have not read these instructions. Equipment or machines operated by inexperienced personnel may pose a serious health hazard.
- Maintain the device with care. Check whether moving components function correctly and do not seize, and whether any components are broken or damaged so badly that the device will not func-

tion correctly as a result. Have any damaged components repaired before using the device. Most accidents are caused by poorly maintained equipment/machines.

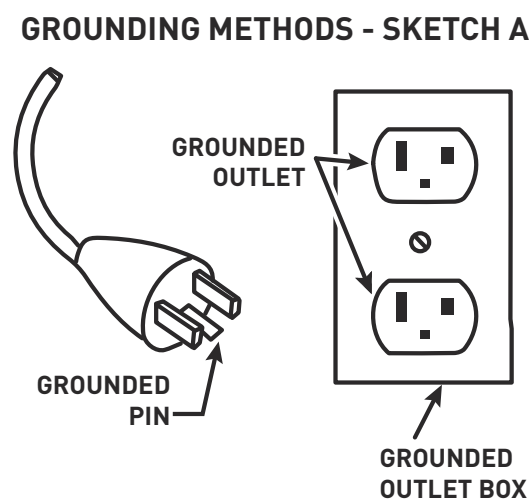
- Never use equipment with a faulty switch. devices that cannot be switched on or off are dangerous and should be repaired.
- Have your device repaired by qualified specialist staff and always use original spare parts to ensure that your machine operates reliably.
- Always use original Festool accessories.

Grounding instructions

This appliance must be grounded. If it should malfunction or breakdown, grounding provides a path of least resistance for electric current to reduce the risk of electric shock. This device is equipped with a cord having an equipment-grounding conductor and grounding plug. The plug must be inserted into an appropriate outlet that is properly installed and grounded in accordance with all local codes and ordinances.

⚠ WARNING! Improper connection of the equipment grounding conductor can result in a risk of electric shock. Check with a qualified electrician or service person if you are in doubt as to whether the outlet is properly grounded. Do not modify the plug provided - if it will not fit the outlet, have a proper outlet installed by a qualified electrician.

This appliance is for use on a nominal 120-V circuit and has a grounding attachment plug that looks like the plug illustrated in sketch A in Figure beside.



Make sure that the appliance is connected to an outlet having the same configuration as the plug. Plug adaptors are not to be used with this appliance.

Machine-related safety instructions

- To Reduce the Risk of Electric Shock or Injury, Use Indoors only.
- Do not operate the machine unless the indicator on the vacuum gauge is within the green sector. Check the vacuum prior to each machining process.
- The vacuum pump may not be operated when installed in the SYSTAINER or other transport container such as a crate etc.

- Do not expose parts of the body to vacuum forces
- Observe the maximum air humidity:

	Temperature	Relative air humidity
Operation	68 °F (20 °C)	95 %
	104 °F (40 °C)	60 %
Storage	68 °F (20 °C)	95 %
	104 °F (40 °C)	80 %

Intended use

The vacuum pump VAC PMP designed to generate a vacuum. The vacuum pump VAC PMP is designed for industrial applications.

For indoor use only. The vacuum pump VAC SYS VP must be operated at less than 6500 ft (2000 m) above sea level.

The vacuum pump should only be connected to a Festool clamping unit VAC SYS SE.



The user is liable for improper or non-intended use.

Technical data

Vacuum pump	VAC PMP
Volume flow (air) max.	124 cu.ft./h (3.5 m ³ /h)
Current	2.5 A
End pressure abs.	150 mbar
Motor speed	3300 rpm
Ambient temperature range	41 °F - 104 °F (5 - 40 °C)
Ambient pressure	Atmospheric pressure
Weight	20.4 lb (9.25 kg)

Functional description

The pictures for the functional description are on a fold-out page at the beginning of the instruction manual. While reading the manual you can fold out the page for comparison and quick reference.

- [1-1]** Cable spool and support
- [1-2]** Vacuum gauge
- [1-3]** Vacuum connection
- [1-4]** On/Off switch

- [2-1]** Slide valve
- [2-2]** Rotary knob for clamping the suction plate
- [2-3]** Locking pin for suction plate
- [2-4]** Clamp lever for tilting fixture
- [2-5]** Foot valve
- [2-6]** Suction plate

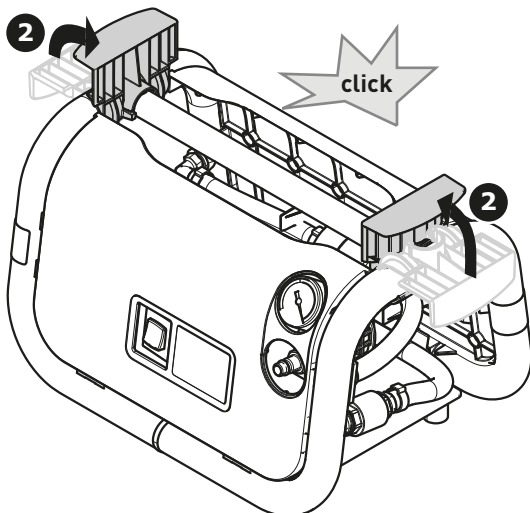
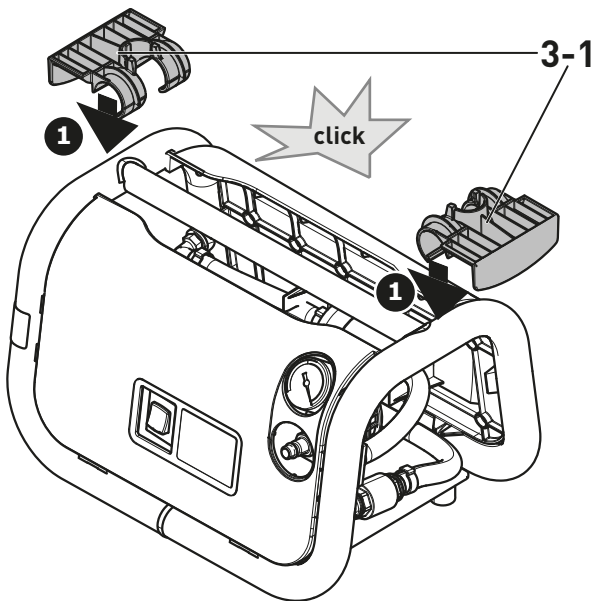
Preparing for use

Consider the pictures on the fold-out page.

Vacuum pump

Attach cable spool

For first time use, press the two elements [3-1] that make up the cable spool to the iron housing, then tilt them into position as shown below:



3

Correct position



WARNING

Explosive environment

This equipment incorporates parts, such as snap switches, receptacles, and the like that tend to produce arcs or sparks.

► Therefore, when located in a garage, it should be in a room or enclosure provided for the purpose, or should be 18 in (457 mm) or more above the floor.

Select an installation location for the vacuum pump that corresponds with the following conditions:

- Protected from thrusts, falling objects or similar hazards.
- Protected from moisture.
- Max. distance of 13 feet (4m) from the clamping unit (due to the length of the vacuum hose).



WARNING

Risk of injury

Overtemperature can result in pump shutdown

When overheating the VAC PMP turns off. Then the vacuum expires and the workpiece as well as the vacuum clamp will be loose. Danger from falling objects.

- Observe the max. ambient temperatures specified in chapter Machine-related safety instructions.
- Ensure that the air ventilation grill is free of any obstruction and air accessible.

ⓘ The VAC PMP features a temperature cut out. In case of overtemperature, the machine automatically turns off. See chapter Troubleshooting.

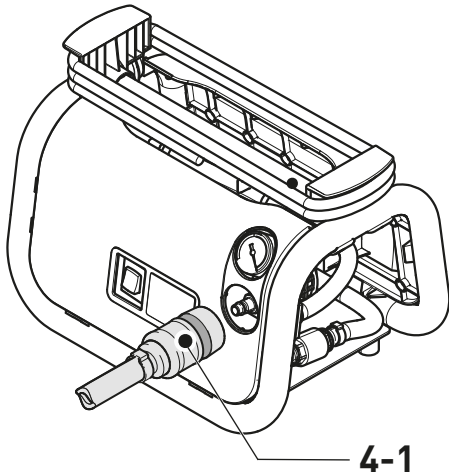
Ensure that the vacuum clamp is properly secured to a stable surface via one of the methods described in Preparing for use. Observe the instructions specified in chapter Safety instructions .

The first set of instructions (Switch on the vacuum) may or may not have already been undertaken, de-

pending on the method of securing the vacuum clamp.

Connect to vacuum hose

- ▶ Attach the coupling on the vacuum hose to the connector **[4-1]**.
- ▶ Safeguard that the coupling is secure.
- ⓘ Only disconnect the vacuum hose when the workpiece is clamped in position: Switch off the pump first. Then actuate the coupling and pull off the vacuum hose.



4

Vacuum connector

- ⓘ Foreign objects and fluids entering the vacuum pump may cause damage.
- Observe the following points before operating the machine:
- ▶ If the extracted gas contains dust or other solid foreign matter, make sure that a suitable filter (5 µm or less) is connected upstream.
 - ▶ Make sure that the coupling on the suction line is compatible with the connection **[1-3]** at the vacuum pump end.
 - ▶ Make sure that the vacuum is generated via a flexible vacuum-sealed hose with insulated plastic/steel coil or via a pipeline.

- ▶ When using a pipeline, make sure that the forces generated are not transferred from the pipeline to the vacuum pump.
- ▶ Make sure that the diameter of the suction line is the same as the diameter of the vacuum connection on the vacuum pump or larger along its entire length.

Connect to power source



Unauthorised voltage or frequency!

Risk of accident

- ▶ The mains voltage and the frequency of the power source must correspond with the specifications on the machine's name plate.
- ▶ In North America, only Festool machines with the voltage specifications 120 V/60 Hz may be used.
- ▶ Connect the plug on the mains cable to a power socket.

Extension Cord

Use only a 3-wire extension cord that has a 3-blade grounding plug, and a 3-slot receptacle that accepts the plug on the product. Make sure your extension cord is not damaged.

If an extension cord is required, it must have sufficient cross-section to prevent an excessive drop in voltage or overheating. An excessive drop in voltage reduces the output and can lead to failure of the motor. The table below shows you the correct cord diameter as a function of the cord length for this tool.

Total Extension Cord Length (feet)	25	50	100	150
Cable size (AWG)	18	18	16	14

Use only U.L. and CSA listed extension cords.

Never use two extension cords together. Instead, use one long one.

- ⓘ The lower the AWG number, the stronger the cord.

Service and maintenance



WARNING

To prevent accidents, always remove the plug from the power supply socket before carrying out any changes or maintenance work on the tool!

- ▶ Do not use compressed air to clean the electrical tool! Do not try to clean parts inside the tool in this way, as you could let foreign objects in through the openings of the tool housing.



Customer service and repair only through manufacturer or service workshops: Please find the nearest address at: www.festoolusa.com/service



Use only original Festool spare parts!
Order No. at: www.festoolusa.com/service

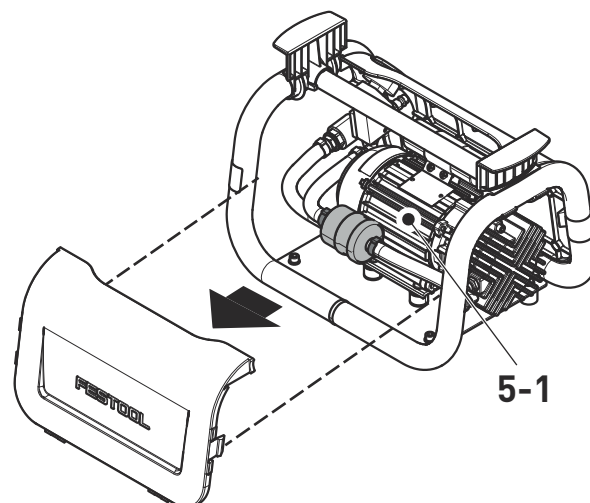
To ensure constant air circulation, always keep the ventilation openings on the pump clean and free of obstruction. Clean the protective grille with a dust extractor. If damaged, have the protective grill replaced by an authorised service workshop.

Prepare for storage

- ▶ Switch off vacuum pump
- ▶ Disconnect mains cable and wrap around cable spool [1-1].
- ▶ Disconnect hose and wind up lightly.
- ▶ Store device in horizontal position.

Replace the air filter

- ① We recommend changing the air filter [5-1] every 12 months to avoid damage to the pump.
- ▶ To replace the air filter [5-1] follow the steps detailed in the assembly instruction provided with the spare part.



5

Environment

Do not dispose of the device as domestic waste!
Dispose of machines, accessories and packaging at

an environmentally responsible recycling centre.
Observe the respective national regulations.

Troubleshooting



WARNING

Maintenance and repair work may only be carried out by authorised service workshops.

Problem	Cause	Solution
Required vacuum is not attained, indicator on the vacuum gauge [1-2] in red sector.	Vacuum gauge faulty	Have the vacuum gauge replaced (Festool Service).
	Vacuum pump faulty	Have vacuum pump repaired or serviced (Festool Service).
	Hose and/or pipe connections are not tight	Check connections for leaks.
	Air filter partly blocked	Replace the air filter.
	More than 6500 ft (2000 m) above sea level	Usage prohibited. Vacuum cannot be attained, expect device malfunction!
	Slide valve worn	Have the slide valve replaced (Festool Service).
	Clamping unit not connected	Connect the clamping unit.
	Secondary hose not connected/additional clamping unit 10 minutes has been removed.	Close the shut-off valve (see Preparing for use in the).
	Clamping unit not seated correctly on the base surface.	Position the clamping unit correctly on the base surface.
	Unsuitable base surface (not airtight or flat)	Use a suitable base.
	Rubber seal underneath the contact surface shows signs of damage.	Replace the rubber seal.
Insufficient vacuum during operation.	Foot valve faulty	Have the foot valve serviced.(Festool Service).
	Vacuum hose faulty or leaking	Replace the vacuum hose; replace the hose connector if necessary.
	Vacuum pump faulty	Have the vacuum pump repaired or replaced (Festool Service).
	Clamping unit does not form a seal with the clamping plate. Suction cup on the workpiece not completely sealed	Immediately stop working and remove the workpiece; Check the clamping plate and suction cup.
The vacuum pump does not start.	Rubber seal underneath the contact surface shows signs of damage.	Replace the rubber seal.
	Vacuum pump faulty	Have the vacuum pump repaired or replaced (Festool Service).
	Mains cable is too small or too long.	Use a mains cable with sufficient dimensions.








Problem	Cause	Solution
The vacuum pump seizes.	Solid foreign matter has entered the vacuum pump	Contact Festool Service.
	Slide valve broken	Have the slide valve [2-1] replaced (Festool Service).
The vacuum pump makes excessive noise or rattles during operation.	Loose mains connection(s)	Tighten or replace loose connections.
	Foreign objects in the vacuum pump-Faulty bearings or worn slide valves	Contact Festool Service.
The vacuum pump becomes extremely hot and switches off due to thermal limiter.	Insufficient supply of cooling air	Ensure that the vacuum pump air cooling system is not obstructed by dust/dirt.Clean the ventilation grille, wait 10 minutes before resuming work.
	Mains frequency or mains power supply outside the tolerance range	Establish a stable power supply. Wait 10 minutes before resuming work.
	Ambient temperature higher than 104 °F (40 °C).	Discontinue work, remove workpiece, switch off machine.
	General work overload	
Clamping not possible	Button valve on the suction plate faulty.	Clean the button valve (see Service and maintenance)/Replace the button valve.
Slide valve [2-1] stiff	Valve sleeve dirty	Clean the valve sleeve and apply a light coat of grease.

Sommaire

Symboles.....	14
À propos de ce manuel	14
Consignes de sécurité	15
Utilisation en conformité avec les instructions.....	16
Caractéristiques techniques.....	16

Description fonctionnelle	17
Préparation pour l'utilisation	17
Entretien et maintenance.....	19
Environnement	20
Dépannage.....	21

Symboles



Symbole	Signification
	Avertissement de danger
	Avertissement contre le risque d'électrocution
	Notice d'utilisation, lire les consignes de sécurité !
	Ne pas jeter l'appareil avec les ordures ménagères.
	Avertissement contre les surfaces chaudes !
	Astuce, information
	Consignes opératoires




Symbole	Signification
V	volts
A	ampères
W	Watt
Hz	hertz
rpm	tours/minute
~ a.c.	courant alternatif
≡ d.c.	courant continu
ft	pieds
in	pouces
lb	livres
mbar	pression d'air en millibar
°F	Température en degrés Fahrenheit

À propos de ce manuel

Conservez ces instructions

Il est important pour vous de lire et de comprendre ce manuel. Les informations qu'il contient, se rapporte à la protection **de votre sécurité** et **de prévention des problèmes**. Les symboles suivants sont utilisés pour vous aider à reconnaître cette information.

	DANGER	Description du risque imminent et l'incapacité à éviter tout risque qui peut entraîner la mort.
	AVERTISSEMENT	Description des dangers possibles et des blessures qui en résultent ou la mort.

	ATTENTION	Description des dangers et des éventuelles blessures qui en résultent.
	AVIS	Déclaration incluant le type de danger et conséquences possibles.
	CONSEIL	Indique des informations, des notes ou des conseils pour améliorer votre succès en utilisant l'outil.

Consignes de sécurité d'ordre général

AVERTISSEMENT !

Veillez lire toutes les consignes de sécurité et instructions. Le non-respect des consignes d'avertissement et des instructions peut occasionner un choc électrique, un incendie et/ou des blessures graves.

Conserver toutes les consignes de sécurité et notices d'instructions pour une référence future.

- Avant d'utiliser l'appareil, lisez attentivement les consignes de sécurité, cette notice d'utilisation et les manuels d'utilisation accompagnant les appareils utilisés conjointement à celui-ci. Conservez précieusement tous les documents fournis. En cas de cession de la machine, donnez-les au nouveau propriétaire.
- Ne permettez en aucun cas aux enfants d'utiliser l'appareil.
- Avant d'utiliser l'appareil, familiarisez-vous suffisamment avec son fonctionnement, ses réglages et son utilisation.
- Veillez à ce que la zone de travail soit propre et rangée. Un poste de travail en désordre et mal éclairé peut entraîner des accidents.
- Ne vous servez pas de l'appareil dans un environnement où il y a un risque d'explosion dû à la présence de liquides inflammables, de gaz ou de poussières. Les moteurs électriques peuvent générer des étincelles susceptibles d'enflammer la poussière ou les vapeurs.
- Soyez attentif à ce que vous faites, faites preuve de bon sens lorsque vous travaillez avec l'appareil. N'utilisez pas l'appareil si vous êtes fatigué ou si vous êtes sous l'influence de drogues, d'alcool ou de médicaments. Un moment d'inattention lors de l'utilisation de l'appareil peut entraîner des blessures graves.
- Utilisez l'appareil, les accessoires, etc. conformément à ces instructions et aux prescriptions relatives à ce type d'appareil spécial. Tenez compte des conditions de travail et de la tâche à effectuer. L'utilisation de l'appareil pour d'autres applications que celles prévues peut entraîner des situations dangereuses.
- Rangez toujours les appareils inutilisés hors de portée des enfants. Ne laissez pas les personnes

auxquelles vous ne faites pas confiance ou qui n'ont pas lu ces consignes se servir de l'appareil. Les appareils / machines sont dangereux lorsqu'ils sont utilisés par des personnes inexpérimentées.

- Prenez soin de l'appareil. Vérifiez que les parties mobiles de l'appareil fonctionnent sans problème, qu'elles ne coincent pas et qu'il n'y a pas de parties cassées ou endommagées qui pourraient entraver son bon fonctionnement. Faites réparer les parties endommagées avant d'utiliser l'appareil. De nombreux accidents sont dus à un mauvais entretien des appareils / machines.
- Ne jamais utiliser d'équipement dont l'interrupteur fonctionne mal. Un appareil ne pouvant pas être mis en marche ou arrêté est dangereux et doit être réparé.
- Faites réparer votre appareil uniquement par du personnel qualifié; les pièces doivent être uniquement remplacées par des pièces d'origine pour garantir que votre machine fonctionne correctement.
- Utilisez uniquement des accessoires Festool d'origine.

Instructions de mise à la terre

Cet appareil doit être mis à la terre. En cas de dysfonctionnement ou de panne, la mise à la terre fournit une voie de moindre résistance pour le courant électrique permettant de réduire le risque d'électrochoc. Cet appareil est équipé d'un câble d'alimentation doté d'un conducteur et d'une fiche d'alimentation électrique pour la mise à la terre. La fiche d'alimentation électrique doit être branchée dans une prise appropriée correctement installée et mise à la terre en conformité avec les codes et règlements locaux.



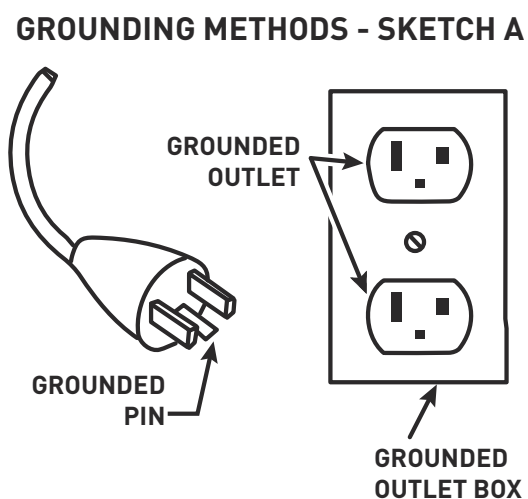
AVERTISSEMENT

Une connexion inappropriée du câble d'alimentation peut être source d'électrochoc.

Vérifier avec un électricien qualifié en cas de doute concernant la mise à la terre correcte de la prise. Ne pas modifier la fiche fournie - si celle-ci n'est

pas compatible avec la prise, faire installer une prise appropriée par un électricien qualifié.

L'appareil doit être utilisé sur un circuit normal de 120 volts et possède une fiche avec mise à la terre comme illustré sur la figure A ci-contre. Assurez-vous de bien connecter l'appareil à une prise ayant la même configuration que la fiche d'alimentation. Aucun adaptateur ne doit être utilisé avec cet appareil.



- Ne pas utiliser la machine tant que l'aiguille du vacuomètre n'est pas dans la zone verte. Contrôler la dépression lors de chaque processus.
- La pompe à vide ne doit pas être utilisée lorsqu'elle est installée dans le SYSTAINER ou dans tout autre container de transport, comme un palan, etc.
- Aucune partie de votre corps ne doit être exposée au vide
- Observer l'humidité de l'air maximale :

	Température	Humidité relative de l'air
Mise en service	68 °F (20 °C)	95 %
	104 °F (40 °C)	60 %
Stockage	68 °F (20 °C)	95 %
	104 °F (40 °C)	80 %

Consignes de sécurité spécifiques à la machine

- Pour réduire le risque d'électrochoc et de blessure, utiliser uniquement en intérieur.

Utilisation en conformité avec les instructions

La pompe à vide VAC PMP est conçue pour générer du vide. La pompe à vide VAC PMP est conçue pour les applications industrielles.

Pour usage en intérieur uniquement. La pompe à vide VAC SYS VP ne doit pas être utilisée à plus de 6500 ft (2000 m) au-dessus du niveau de la mer.

La pompe à vide ne doit être reliée qu'à un système de serrage Festool VAC SYS SE.



L'utilisateur est responsable des dommages provoqués par une utilisation non conforme.

Caractéristiques techniques

Pompe à vide	VAC PMP
Débit volumétrique (air) max.	124 cu.ft./h (3,5 m ³ /h)
Courant	2,5 A
Pression final abs.	150 mbar max
Régime moteur	3300 min-1
Plage de température ambiante	41 °F - 104 °F (5 - 40 °C)
Pression ambiante	Pression atmosphérique
Poids	20.4 lb (9,25 kg)

Description fonctionnelle

Des éléments fournis sont disponibles sur le volet qui se trouve au début de cette notice d'utilisation. Vous pouvez ainsi déplier cette page et visualiser en permanence les différentes parties de l'outil lorsque vous lisez la notice.

- [1-1] Bobine de câble et support
- [1-2] Vacuomètre
- [1-3] Raccord d'aspiration

- [1-4] Interrupteur de marche/arrêt
- [2-1] Vanne coulissante
- [2-2] Molette pour bloquer la ventouse
- [2-3] Goupille de sécurité de la ventouse
- [2-4] Levier de blocage de la fixation inclinable
- [2-5] Pédale de commande
- [2-6] Ventouse interchangeable

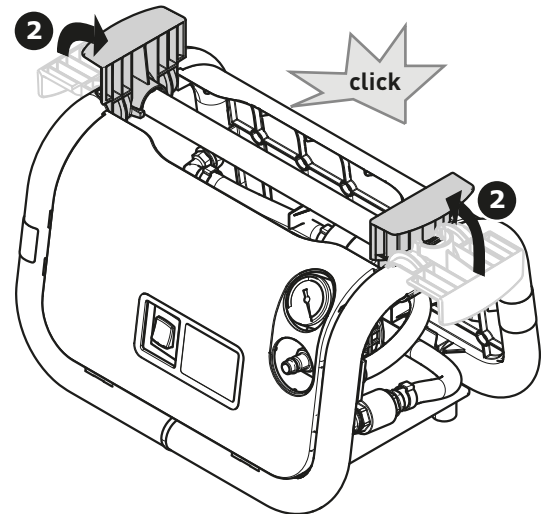
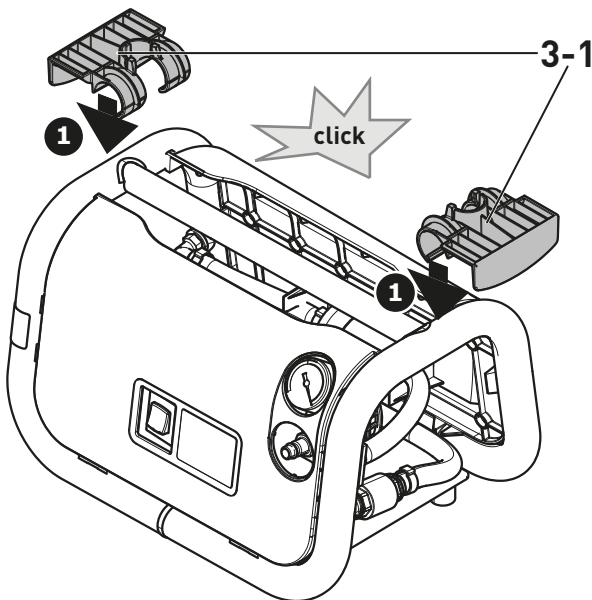
Préparation pour l'utilisation

Attention aux illustrations au début de la présente notice d'utilisation.

Pompe à vide

Attacher la bobine de fil

Pour la première utilisation, enfoncer les deux éléments [3-1] constituant la bobine de câble dans le boîtier en fer, puis les faire basculer en position comme présenté ci-dessous:



Position correcte



AVERTISSEMENT

Environnement explosif

L'équipement comprend des pièces, comme les interrupteurs à rupture brusque ou les prises, ayant tendance à produire des arcs ou des étincelles.

► Aussi, lorsqu'il est situé dans un garage, celui-ci doit être placé dans une pièce ou une enceinte dédiée, ou se situer à 18 in (457 mm) ou plus au-dessus du sol.

Choisissez l'endroit où vous allez installer la pompe à vide, celui-ci doit répondre aux critères suivants :

- A l'abri des chocs, des objets pouvant tomber et autres risques du même type.
- Protégé de l'humidité.
- Distance max. de 13 feet (4m) du système de serrage (en raison de la longueur du tuyau pour serrage à vide).



AVERTISSEMENT

Risques de blessures

Une surtempérature peut provoquer une panne de la pompe

En cas de surchauffe, le VAC PMP s'arrête. Puis le vide est dépressurisé et la pièce à usiner, ainsi que le système de serrage sous vide, sont desserrés. Risque lié à la chute d'objets.

- ▶ Observer la température ambiante maximale spécifiée au chapitre Consignes de sécurité spécifiques à la machine.
- ▶ Assurez-vous que la grille d'aération ne soit pas obstruée et que l'air puisse circuler.

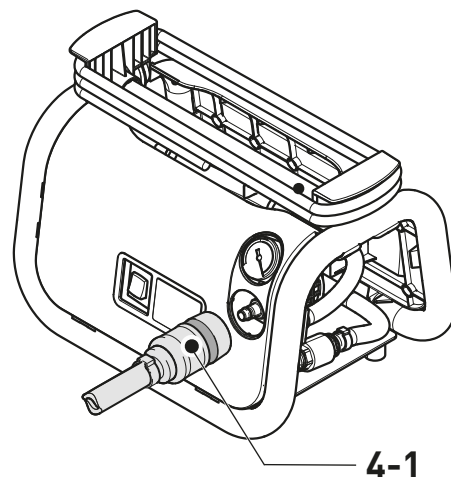
- ① Le VAC PMP comprend un système de coupure en cas de surtempérature. En cas de surtempérature, la machine s'arrête automatiquement. Voir chapitre Dépannage.

Assurez-vous que le système de serrage sous vide est correctement fixé sur une surface stable via l'une des méthodes décrites sous Préparation pour l'utilisation. Observer les instructions spécifiées au chapitre Consignes de sécurité .

Le premier jeu d'instructions (mise sous vide) peut avoir déjà été pris ou non selon la méthode de fixation du système de serrage sous vide.

Relier à un tuyau pour serrage à vide

- ▶ Fixer le manchon du tuyau pour serrage à vide au connecteur [4-1].
- ▶ Assurez-vous que le manchon est bien fixé.
- ① Pour détacher le tuyau pour serrage à vide, si aucune pièce à usiner n'est serrée : commencer par arrêter la pompe. Enlever d'abord le manchon puis le tuyau pour serrage à vide.



4

Raccordement du tuyau pour serrage à vide

- ① La pompe à vide peut être détruite par des corps étrangers ou des liquides qui pénétreraient à l'intérieur de celle-ci.

Avant la mise en service, vérifier les points suivants :

- ▶ Lorsque le gaz aspiré peut contenir des poussières ou d'autres corps étrangers solides : vérifier qu'un filtre approprié (5 µm ou moins) est placé en amont.
- ▶ **[1-3]** Assurez-vous que le manchon du flexible d'aspiration est compatible avec le raccord à l'extrémité de la pompe à vide.
- ▶ Vérifier que le vide est appliqué par le biais d'un tuyau flexible étanche à armature en acier ou en plastique ou bien par le biais d'un tuyau rigide.
- ▶ En cas d'utilisation d'un tuyau rigide: assurez-vous qu'aucune force exercée par le tuyau n'est reportée sur la pompe à vide.
- ▶ Vérifier que la section de la conduite d'aspiration est, sur toute sa longueur, au moins égale à la section du tuyau pour serrage à vide.

Connexion à l'alimentation électrique



AVERTISSEMENT

Tension ou fréquence non autorisée!

Risque d'accident

- ▶ La tension et la fréquence d'alimentation électrique doivent être conformes aux indications de la plaque signalétique de la machine.
- ▶ En Amérique du nord, utilisez uniquement les outils Festool fonctionnant sous une tension de 120 V/60 Hz.

- ▶ Brancher la fiche du cordon d'alimentation sur une prise de courant.

Cordon d'extension

Utiliser uniquement un cordon d'extension à 3 fils avec une fiche de terre à 3 lames et une prise à 3 fentes acceptant la fiche du produit. Assurez-vous

que votre cordon d'extension ne soit pas endommagé.

Si un cordon d'extension est nécessaire, celui-ci doit présenter une section suffisante afin d'éviter une chute de tension excessive ou une surchauffe. Une chute de tension excessive réduit la puissance et peut entraîner la destruction du moteur. Le tableau ci-dessous vous présente la section correcte du câble en fonction de sa longueur pour cet outil.

Longueur totale du cordon d'extension (pieds)	25	50	100	150
Taille de câble (AWG)	18	18	16	14

Utiliser exclusivement des cordons recommandés par U.L. et CSA.

Ne jamais utiliser deux cordons reliés l'un à l'autre. Les remplacer par une rallonge plus longue.

- ① Plus le numéro AWG est petit, plus la section du cordon est grande.

Entretien et maintenance



AVERTISSEMENT

Pour éviter les accidents, retirez toujours la fiche mâle de la prise d'alimentation électrique avant d'effectuer tout travail de maintenance ou de réparation sur la machine !

- ▶ N'utilisez pas d'air comprimé pour nettoyer l'outil électrique ! N'essayez pas de nettoyer des parties à l'intérieur de la machine de cette façon, étant donné que des corps étrangers pourraient pénétrer dans les ouvertures du carter de la machine.



Seuls le fabricant et un atelier homologué sont habilités à effectuer **toute réparation ou service**. Les adresses à proximité sont disponibles sur: www.festoolusa.com/service



Utilisez uniquement des pièces de rechange Festool d'origine. Référence sur: www.festoolusa.com/service

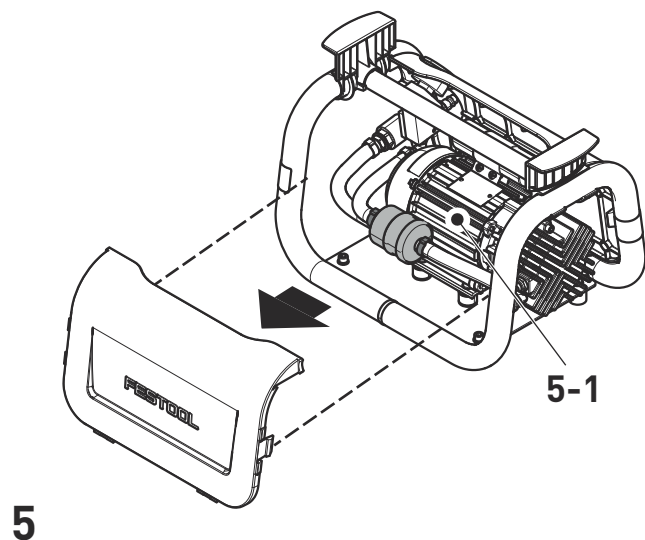
Pour assurer une circulation constante de l'air, il est impératif que les ouvertures d'aération soient systématiquement libres et propres. Nettoyez la grille de protection située derrière à l'aide d'un aspirateur. Si la grille de protection est endommagée, elle doit être remplacée par un atelier de service après-vente autorisé.

Préparer pour le remisage

- ▶ Arrêter ma pompe à vide
- ▶ Déconnecter le câble de raccordement et l'enrouler autour de la bobine **[1-1]**.
- ▶ Déconnecter le tuyau et l'enrouler légèrement.
- ▶ Stocker l'appareil en position horizontale.

Remplacer le filtre à air

- ① **[5-1]** Pour éviter d'endommager la pompe, nous vous recommandons de remplacer le filtre à air tous les 12 mois.
- ▶ Pour remplacer le filtre à air **[5-1]** suivre les étapes détaillées dans les instructions de montage fournies avec la pièce.



Environnement

Ne jetez pas l'appareil avec les ordures ménagères ! Éliminez l'appareil, les accessoires et les emballages de façon compatible avec l'environnement.

Respectez les prescriptions nationales en vigueur.

Dépannage



AVERTISSEMENT

Les travaux de maintenance et de réparation ne doivent être effectués que par des ateliers de service agréés.








Problème	Cause	Solution
La dépression requise n'est pas atteinte, l'aiguille du vacuomètre [1-2] est en zone rouge.	Vacuomètre défectueux	Remplacer le vacuomètre (Festool Service).
	Pompe à vide défectueuse	Faire réparer ou réviser la pompe à vide (Festool Service).
	Raccordement non étanche des tuyaux flexibles / rigides	Vérifier l'étanchéité des raccordements.
	Filtre à air partiellement obstrué	Remplacer le filtre à air.
	A plus de 6500 ft (2000 m) au-dessus du niveau de la mer	Usage interdit. Le vide ne peut pas être atteint, dysfonctionnement appareil possible!
	Vanne coulissante usée	Remplacer la vanne coulissante (Festool Service).
	Système de serrage non raccordé	Raccorder le système de serrage.
	Tuyau secondaire non connecté/le système de serrage supplémentaire 10 minutes a été ôté.	Fermer la vanne d'arrêt (voir Préparation pour l'utilisation dans).
	Le système de serrage n'est pas correctement placé sur le support.	Positionnement correctement le système de serrage sur le support.
	Support non approprié (non étanche à l'air, non plan)	Utiliser un support approprié.
	Le joint en caoutchouc présente des signes de détérioration au niveau du côté inférieur d'appui.	Remplacer le joint en caoutchouc.
La dépression est trop faible lors du fonctionnement de l'appareil.	Pédale de commande défectueuse	Réviser la pédale de commande (Festool Service).
	Tuyau pour serrage à vide défectueux ou non étanche	Remplacer le tuyau pour serrage à vide; si nécessaire, remplacer les raccords de tuyau.
	Pompe à vide défectueuse	Faire réparer ou réviser la pompe à vide (Festool Service).
	L'adhérence entre le système de serrage et le plateau de serrage n'est pas totale. L'adhérence entre le plateau de la ventouse et la pièce à usiner n'est pas totale	Interrompre aussitôt le travail et enlever la pièce à usiner; Vérifier le plateau de serrage et le plateau de la ventouse.

Problème	Cause	Solution
La pompe à vide ne démarre pas.	Le joint en caoutchouc présente des signes de détérioration au niveau du côté inférieur d'appui.	Remplacer le joint en caoutchouc.
	Pompe à vide défectueuse	Faire réparer ou réviser la pompe à vide (Festool Service).
	Le câble de raccordement est trop petit ou trop long.	Utiliser un câble aux dimensions adaptées.
La pompe à vide est bloquée.	Présence de corps étrangers dans la pompe à vide	Contact Festool Service.
	Vanne coulissante cassée	Remplacer la vanne coulissante [2-1] (Festool Service).
La pompe à vide fait beaucoup de bruit en fonctionnant ou émet des bruits inattendus.	Raccord(s) détaché(s) au niveau du connecteur d'alimentation	Remettre en place ou remplacer les raccords.
	Objets étrangers dans la pompe à vide Roulements défectueux ou vannes coulissantes usées	Contact Festool Service.
La pompe à vide devient très chaude et s'arrête du fait du limiteur de température.	Apport d'air frais insuffisant	Assurez-vous que le système de refroidissement d'air de la pompe à vide ne soit pas obstrué par la poussière/saleté. Nettoyer la grille de ventilation, attendre 10 minutes avant de reprendre les travaux.
	Fréquence ou tension d'alimentation supérieure à la plage de tolérance	Fournir une alimentation électrique stable. Attendre 10 minutes avant de reprendre les travaux.
	Température ambiante supérieure à 104 °F (40 °C).	Cesser le travail, remplacer la pièce à usiner, arrêter la machine.
	Surcharge générale de travail	
Serrage impossible	Palpeur mécanique de la ventouse défectueux.	Nettoyer le palpeur mécanique (voir Entretien et maintenance)/Remplacer le palpeur mécanique.
[2-1] Vanne coulissante raide	Tige de soupape encrassée	Nettoyer la tige de soupape et la graisser légèrement.

Índice

Símbolos.....	23	Descripción de las funciones	26
Sobre este manual	23	Preparación para su utilización.....	26
Indicaciones de seguridad	24	Mantenimiento y cuidado	28
Uso conforme a lo previsto	25	Medio ambiente	29
Datos técnicos	25	La depuración	30




Símbolos



Sím-bolo	Significado	Sím-bolo	Significado
	Aviso de peligro general	V	voltios
	Peligro de electrocución	A	amperios
	¡Leer el manual de instrucciones y las indicaciones de seguridad!	W	vatios
	No depositar en la basura doméstica.	Hz	hertzios
	Aviso de superficie caliente	rpm	revoluciones por minuto
	Consejo, indicación	~ CA	corriente alterna
	Guía de procedimiento	— CC	corriente continua
		ft	pies
		in	pulgadas
		lb	libras
		mbar	presión atmosférica en milibares
		°F	temperatura en grados Fahrenheit

Sobre este manual


Guarde estas instrucciones

Es importante que usted lea y entienda este manual. La información que contiene se relaciona con la protección de **su seguridad y la prevención de problemas**. Los símbolos que siguen se utilizan para ayudarlo a reconocer esta información.

	PELIGRO	Descripción de peligro inminente y fracaso para evitar riesgos que podran causar la muerte.
	ADVERTENCIA	Descripción de peligro y posibles lesiones resultantes o la muerte.
	PRECAUCIÓN	Descripción de peligro y posibles lesiones resultantes.

	AVISO	Declaración incluyendo el tipo de riesgo y posible resultados.
	CONSEJO	Indica informaciones, notas, o consejos para mejorar su éxito con la herramienta.

Indicaciones de seguridad generales

 **ADVERTENCIA:** Lea todas las indicaciones de seguridad e instrucciones. Si no se cumplen debidamente las indicaciones de advertencia y las instrucciones, puede producirse una descarga eléctrica, quemaduras o lesiones graves.

Guarde todas las indicaciones de seguridad e instrucciones para que sirvan de futura referencia.


- Antes de utilizar la herramienta, lea cuidadosamente las indicaciones de seguridad, estas instrucciones de uso y los manuales de instrucciones que se suministran con la herramienta. Deben utilizarse conjuntamente durante toda la vida útil de la misma. Conserve todos los documentos adjuntos y entregue la herramienta sólo junto con dicha documentación.
- No permita que los niños utilicen la herramienta.
- Antes de utilizar la herramienta, familiarícese con los procedimientos para su uso, ajuste y manejo.
- Mantenga la zona de trabajo limpia y ordenada. El desorden y la falta de iluminación en las zonas de trabajo pueden dar lugar a accidentes.
- No utilice la herramienta en entornos potencialmente explosivos donde se encuentren líquidos, gases o polvos inflamables. Los motores eléctricos producen chispas que pueden inflamar el polvo o los vapores.
- Preste una atención especial al manejo de la herramienta y actúe siempre con prudencia. No utilice la herramienta cuando esté cansado o bajo los efectos de drogas, alcohol o medicamentos. Una mínima distracción mientras está utilizando la herramienta puede ocasionarle graves lesiones.
- Utilice la herramienta, los accesorios, etc. de acuerdo con las presentes instrucciones y con las demás instrucciones que acompañan a esta herramienta especial. Para ello, tenga en cuenta las condiciones de trabajo y la actividad que debe realizar. El uso en aplicaciones diferentes a las previstas puede dar lugar a situaciones peligrosas.
- Cuando no se utilice, guarde el equipo fuera del alcance de los niños. No permita que la herra-

mienta sea utilizada por personas que no estén familiarizadas con ella o no hayan leído las presentes indicaciones. Las herramientas/máquinas en manos inexpertas pueden ser peligrosas.

- Realice un mantenimiento cuidadoso de la herramienta. Compruebe si las partes móviles funcionan correctamente y no se atascan, si hay piezas rotas o tan deterioradas que podrían afectar el funcionamiento de la herramienta. Haga reparar las piezas deterioradas antes de usar la herramienta. Muchos accidentes tienen su origen en un mantenimiento deficiente de las herramientas/máquinas.
- No utilice nunca un equipo con un interruptor defectuoso. Un equipo que no se pueda conectar o desconectar es peligroso y requiere reparación.
- Encargue las reparaciones de su herramienta únicamente a personal técnico cualificado y utilice solo piezas de recambio originales para garantizar que su máquina funciona con fiabilidad.
- Utilice únicamente accesorios Festool originales.

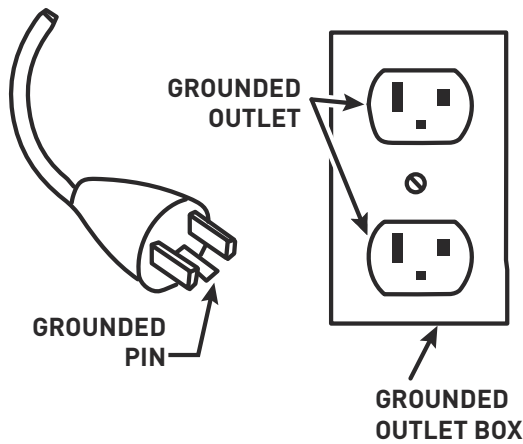
Instrucciones de conexión a tierra

Este aparato debe tener conexión a tierra. Si se produce un mal funcionamiento o una avería, la conexión a tierra proporciona una vía de menor resistencia para la corriente eléctrica, por lo que se reduce el riesgo de una descarga eléctrica. Esta herramienta tiene un cable que dispone de conductor con conexión a tierra para el equipo y conector con conexión a tierra. El conector debe insertarse en una toma de corriente apropiada que se haya instalado correctamente y disponga de conexión a tierra cumpliendo las normas y normativas locales.

 **AVISO** Una conexión a tierra inadecuada del conductor para el equipo puede provocar riesgos de descarga eléctrica. Si tiene dudas sobre la correcta conexión a tierra de la toma de corriente, consulte con un electricista cualificado o con un profesional del servicio técnico. No modifique el conector suministrado. Si no encaja en la toma de corriente, solicite a un electricista cualificado que realice la instalación de una toma de corriente adecuada.

Este aparato está diseñado para su uso en un circuito nominal de 120 V y dispone de un conector accesorio de conexión a tierra;

GROUNDING METHODS - SKETCH A



véase el conector que aparece en el boceto A en la figura más abajo. Asegúrese de que el aparato se conecta a una toma de corriente que tenga la misma configuración que el conector. No deben utilizarse adaptadores para conectores con este aparato.

Instrucciones de seguridad específicas para la máquina

- Para evitar el riesgo de descarga eléctrica o lesiones, debe utilizarse solo en interiores.
- No haga funcionar la máquina hasta que el indicador del vacuómetro se encuentre en la zona verde. Compruebe el vacío antes de cada proceso.
- La bomba de vacío no puede usarse cuando se instala en el SYSTAINER o en otro contenedor de transporte, como una caja, etc.
- No exponga al vacío ninguna parte del cuerpo
- Tenga en cuenta la humedad máxima en el aire:

	Temperatura	Humedad relativa del aire
Operativa	68 °F (20 °C)	95 %
	104 °F (40 °C)	60 %
En almacén	68 °F (20 °C)	95 %
	104 °F (40 °C)	80 %

Uso conforme a lo previsto

La bomba de vacío VAC PMP está diseñada para generar un vacío. La bomba de vacío VAC PMP está diseñada para aplicaciones industriales.

Solo para uso en interiores. La bomba de vacío VAC SYS VP debe utilizarse a menos de 6.500 ft (2.000 m) sobre el nivel del mar.

La bomba de vacío solo debe conectarse a una unidad de sujeción Festool VAC SYS SE.



El usuario será responsable de cualquier utilización indebida.

Datos técnicos

Bomba de vacío	VAC PMP
Caudal volumétrico (aire) máx.	124 ft ³ /h (3,5 m ³ /h)
Corriente	2,5 A
Presión final abs.	150 mbar
Velocidad del motor	3.300 rpm
Gama de temperatura ambiental	41 - 104 °F (5 - 40 °C)
Presión ambiental	Presión atmosférica
Peso	20.4 lb (9,25 kg)

Descripción de las funciones

Las imágenes con la dotación de suministro se encuentran en una hoja desplegable al comienzo de este manual de instrucciones. Cuando lea este manual, le recomendamos que despliegue esta página para disponer fácilmente de una vista general de la máquina.

- [1-1] Bobina de cable y apoyo
- [1-2] Vacuómetro
- [1-3] Conexión de vacío
- [1-4] Interruptor de conexión y desconexión

- [2-1] Válvula de corredera
- [2-2] Botón giratorio para la sujeción de la placa de aspiración
- [2-3] Pasador de sujeción para la placa de aspiración
- [2-4] Palanca de sujeción para fijación basculante
- [2-5] Válvula de pie
- [2-6] Placa de aspiración

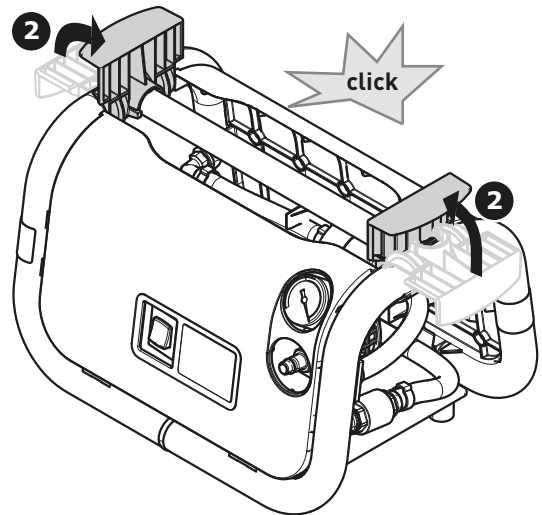
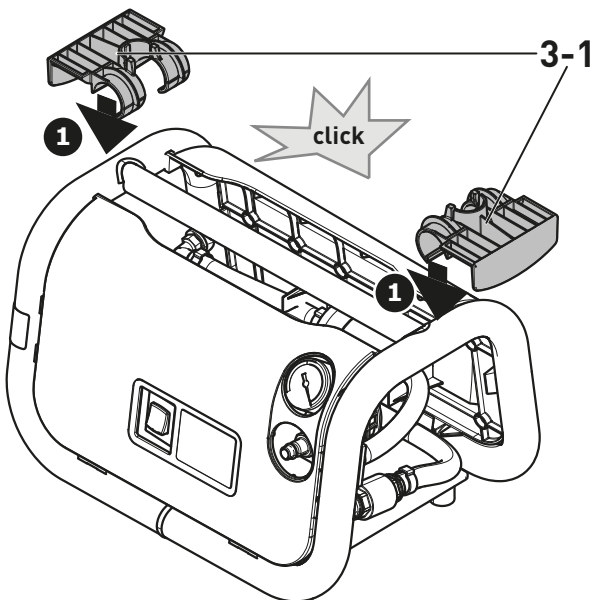
Preparación para su utilización

Tenga en cuenta las imágenes al principio del manual.

Bomba de vacío

Fije la bobina de cable

Para la primera utilización presione los dos elementos [3-1] que forman la bobina de cable hasta la carcasa de hierro y, a continuación, inclínelos hasta la posición que se muestra más abajo:



Posición correcta



ADVERTENCIA

Entorno explosivo

Este equipamiento incluye piezas tales como interruptores de acción rápida, receptáculos y similares que suelen generar arcos o chispas.

► Por tanto, si se encuentra en un taller, debe tratarse de un espacio o recinto ideado para ese propósito o debe estar 18 in (457 mm) o más por encima del suelo.

Elija para la bomba de vacío un lugar de montaje que reúna los siguientes requisitos:

- Protegido contra choques, caída de objetos y riesgos similares.
- Protegido contra la humedad.
- Distancia máxima de 13 feet (4m) desde la unidad de sujeción (debido a la longitud del tubo flexible de vacío).



ADVERTENCIA

Peligro de lesiones

El sobrecalentamiento puede provocar una desconexión de la bomba

Ante un sobrecalentamiento, el VAC PMP se desconecta. El vacío finaliza y la pieza de trabajo, además de la fijación por vacío, se liberan. Peligro por caída de objetos.

- ▶ Respete las temperaturas ambientales máximas que se especifican en el capítulo Instrucciones de seguridad específicas para la máquina.
- ▶ Asegúrese de que la rejilla de ventilación no presenta obstrucciones y el paso del aire es correcto.

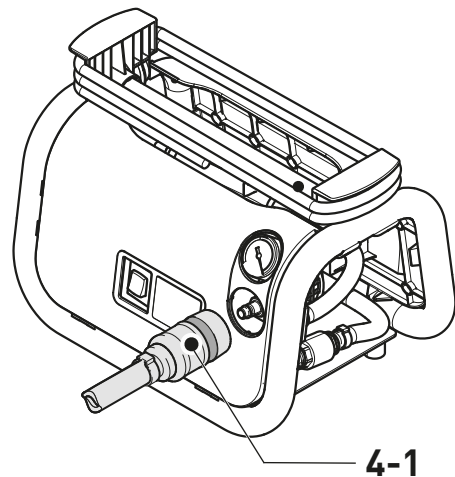
- ① El VAC PMP incluye una desconexión por motivos de temperatura. En caso de una temperatura excesiva, la máquina se desconecta automáticamente. Véase el capítulo La depuración.

Asegúrese de que la fijación por vacío está bien sujeta a una superficie estable mediante uno de los métodos descritos en Preparación para su utilización. Respete las instrucciones que se especifican en el capítulo Indicaciones de seguridad .

El primer grupo de instrucciones (conectar el vacío) puede haberse realizado ya (o no) en función del método utilizado para asegurar la fijación por vacío.

Conecte al tubo flexible de vacío

- ▶ Fije el acoplamiento sobre el tubo flexible de vacío al conector **[4-1]**.
- ▶ Asegúrese de que el acoplamiento es seguro.
- ① Desconecte el tubo flexible de vacío solo cuando la pieza de trabajo esté sujeta: debe desconectar primero la bomba. Accione primero el acoplamiento y extraiga luego el tubo flexible de vacío.



4

Conexión de vacío

- ① La penetración de cuerpos extraños o de líquidos puede dañar la bomba de vacío.

Antes de la puesta en servicio, tenga en cuenta los siguientes puntos:

- ▶ Si el gas aspirado contiene polvo u otros cuerpos extraños sólidos, asegúrese de que se ha preconectado un filtro adecuado (5 µm o inferior).
- ▶ Compruebe si el acoplamiento del conducto de aspiración es compatible con la conexión **[1-3]** en el extremo de la bomba de vacío.
- ▶ Asegúrese de que el vacío se genera mediante un tubo flexible estanco al vacío con una bobina aislada de plástico/acero o a través de una tubería.
- ▶ Al utilizar una tubería asegúrese de que las fuerzas que se generan no se transfieren desde la tubería a la bomba de vacío.
- ▶ Compruebe que el diámetro del conducto de aspiración es igual al diámetro de la conexión de vacío para la bomba de vacío o superior en toda su longitud.

Conecte a la red eléctrica

ADVERTENCIA

Tensión o frecuencia no admisibles.

Riesgo de accidente

- ▶ La tensión de la red y la frecuencia de la red eléctrica deben coincidir con las especificaciones que figuran en la placa guía de la máquina.
- ▶ En Norteamérica, sólo se pueden emplear máquinas Festool cuyas especificaciones de tensión sean de 120 V/60 Hz.

- ▶ Conecte el enchufe de la línea de alimentación a una caja de contacto.

Cable alargador

Utilice exclusivamente un cable alargador de 3 hilos que disponga de un conector con conexión a tierra de 3 hojas y de un receptáculo de 3 espacios capaz de alojar el conector en el producto. Asegúrese que el cable alargador no está dañado.

Si se requiere un cable alargador, este deberá disponer de una sección transversal suficiente para evitar una pérdida excesiva de voltaje o que se produzca un sobrecalentamiento. Una pérdida excesiva de voltaje reduce el rendimiento y puede causar el fallo del motor. La siguiente tabla indica el diámetro correcto del cable como una función de la longitud del mismo para esta herramienta.

Longitud total del cable alargador (pies)	25	50	100	150
Tamaño del cable (AWG)	18	18	16	14

Use solo los cables alargadores U.L. y CSA que figuran en la relación.

No utilice nunca dos alargadores juntos. Se recomienda usar un solo cable largo.

- ① A menor número AWG, mayor resistencia del cable.

Mantenimiento y cuidado

ADVERTENCIA

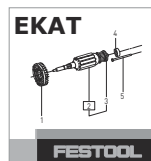
Para prevenir los accidentes, antes de realizar cualquier trabajo de mantenimiento o reparación en la máquina retire siempre el enchufe de la toma de corriente.

- ▶ No utilice aire a presión para limpiar las herramientas eléctricas. No intente limpiar las partes internas de la máquina de este modo, ya que podría permitir la entrada de objetos extraños a través de las aperturas de la carcasa de la máquina.



www.festoolusa.com/service

El **Servicio de atención al cliente y reparaciones** solo está disponible por parte del fabricante o de los talleres de reparación: encuentre la dirección más próxima a usted en: www.festoolusa.com/service



Utilice únicamente piezas de recambio Festool originales. Referencia en: www.festoolusa.com/service

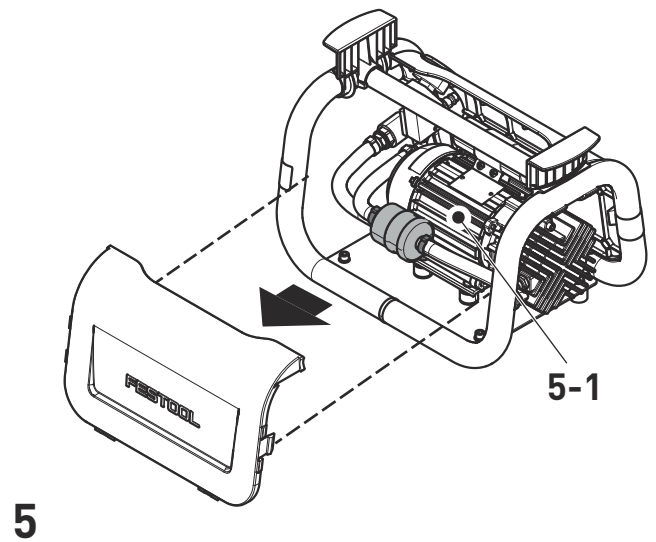
Para asegurar una circulación constante de aire mantenga, los orificios de ventilación en la bomba limpios y sin obstrucciones. Limpie la rejilla protectora con un aspirador. Si la rejilla protectora está dañada, acuda a un taller de servicio autorizado para que la sustituya.

Prepare el almacenaje

- ▶ Desconecte la bomba de vacío
- ▶ Desconecte el cable de alimentación y enróllelo alrededor de la bobina de cable **[1-1]**.
- ▶ Desconecte el tubo flexible y enróllelo ligeramente.
- ▶ Guarde la herramienta en posición horizontal.

Cambiar el filtro de aire

- ① Para evitar daños en la bomba recomendamos cambiar el filtro de aire **[5-1]** cada 12 meses.
- ▶ Para sustituir el filtro de aire **[5-1]** siga los pasos indicados en las instrucciones de montaje que se suministran con la pieza de recambio.



Medio ambiente

No deseche la herramienta junto con los residuos domésticos. Recicle las herramientas, accesorios y

embalajes de forma respetuosa con el medio ambiente. Respete la normativa vigente del país.

La depuración



ADVERTENCIA

Los trabajos de mantenimiento y reparación deben realizarlos exclusivamente talleres de servicio autorizados.

Problema	Causa	Solución
No se alcanza el vacío necesario, el indicador del vacuómetro [1-2] está en la zona roja.	Vacuómetro defectuoso	Haga sustituir el vacuómetro (Festool Service).
	Bomba de vacío defectuosa	Haga reparar o revisar la bomba de vacío (Festool Service).
	Las conexiones de los tubos flexibles y/o de las tuberías no son estancas	Compruebe la estanqueidad de las conexiones.
	El filtro de aire está parcialmente obturado	Cambie el filtro de aire.
	Altura sobre el nivel del mar superior a 6.500 ft (2.000 m)	Uso prohibido. No puede alcanzarse el vacío, provocará previsiblemente un mal funcionamiento de la herramienta.
	Válvula de corredera desgastada	Sustituya la válvula de corredera (Festool Service).
	La unidad de sujeción no está conectada	Conecte la unidad de sujeción.
	Tubo flexible secundario no está conectado/se ha retirado la unidad de sujeción adicional 10 minutos.	Cierre la válvula de cierre (ver Preparación para su utilización).
	La unidad de sujeción no se asienta correctamente sobre la superficie base.	Posicione la unidad de sujeción correctamente sobre la superficie base.
	Base inapropiada (no estanca a los gases, superficie irregular)	Utilice una base apropiada.
	La junta de goma en la parte inferior de la superficie de apoyo presenta daños.	Cambie la junta de goma.
El vacío es insuficiente durante el funcionamiento.	Válvula de pie defectuosa	Haga revisar la válvula de pie.(Festool Service).
	Tubo flexible de vacío defectuoso o no estanco	Cambie el tubo flexible de vacío; en caso necesario, sustituya el conector del tubo.
	Bomba de vacío defectuosa	Haga reparar o sustituir la bomba de vacío (Festool Service).
	La unidad de sujeción no hermetiza sobre la placa de sujeción. El disco de aspiración no hermetiza por completo sobre la pieza de trabajo	Interrumpa de inmediato el trabajo y retire la pieza de trabajo. Compruebe la placa de sujeción y la ventosa.

Problema	Causa	Solución
La bomba de vacío no se pone en marcha.	La junta de goma en la parte inferior de la superficie de apoyo presenta daños.	Cambie la junta de goma.
	Bomba de vacío defectuosa	Haga reparar o sustituir la bomba de vacío (Festool Service).
	El cable de conexión es demasiado corto o excesivamente largo.	Utilice un cable de conexión suficientemente largo.
La bomba de vacío está bloqueada.	Penetración de materias extrañas en la bomba de vacío	Póngase en contacto con Festool Service.
	Válvula de corredera rota	Sustituya la válvula de corredera [2-1] (Festool Service).
La bomba de vacío funciona con mucho ruido o con vibraciones.	Unión(es) floja(s) en la conexión a la red	Apriete de nuevo o cambie las uniones flojas.
	Cuerpos extraños en la bomba de vacío. Cojinetes defectuosos o válvula de corredera desgastada	Póngase en contacto con Festool Service.
La bomba de vacío se calienta excesivamente y se desconecta debido al limitador térmico.	Alimentación de aire de refrigeración insuficiente	Asegúrese de que el sistema de refrigeración por aire de la bomba de vacío no está obstruido por polvo/suciedad. Limpie la rejilla de ventilación y espere 10 minutos antes de reanudar el trabajo.
	Frecuencia de la red o tensión de la red fuera del margen de tolerancia	Asegure una alimentación eléctrica estable. Espere 10 minutos antes de reanudar el trabajo.
	Temperatura ambiental superior a 104 °F (40 °C).	Interrumpa el trabajo, extraiga la pieza de trabajo y desconecte la máquina.
	Sobrecarga de trabajo general	
No se puede efectuar la sujeción	Válvula palpadora de la placa de aspiración defectuosa.	Limpie la válvula palpadora (véase Mantenimiento y cuidado)/sustituya la válvula palpadora.
Válvula de corredera [2-1] agarrotada	Casquillo de la válvula sucio	Limpie el casquillo de la válvula y engráselo ligeramente.